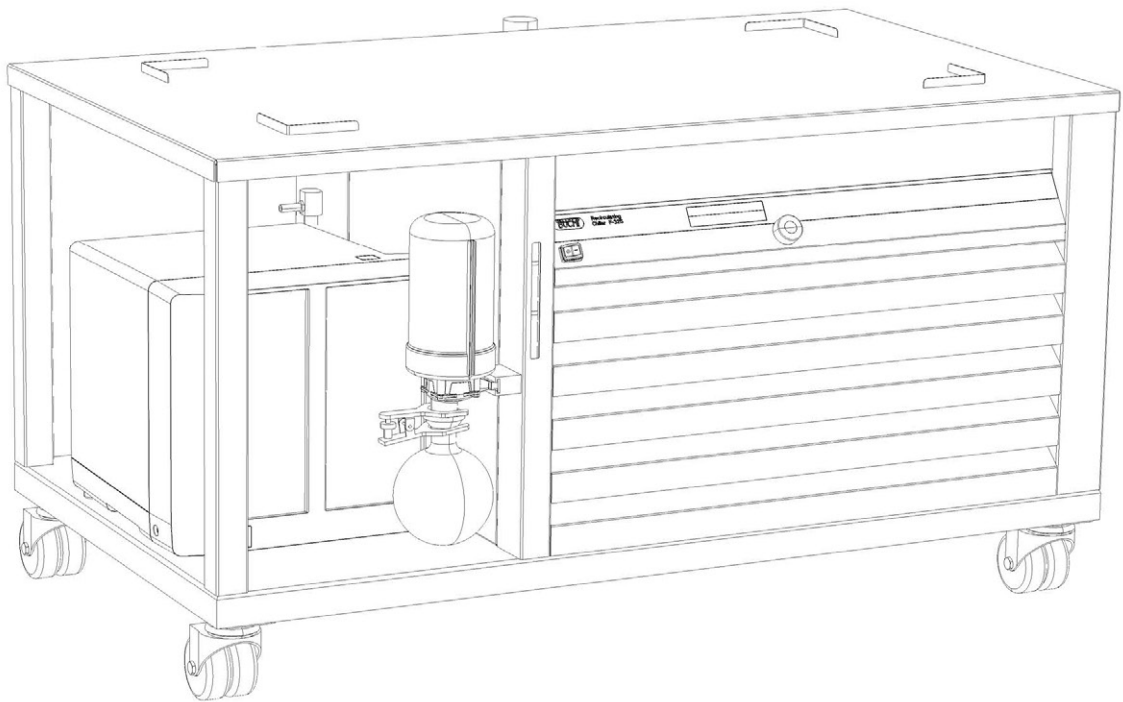




Recirculating Chiller F-325

Technical data sheet

The Recirculating Chiller F-325 is designed to be a powerful chiller for the Rotavapor® R-220 Pro as well as a trolley and a host for the Vacuum Pump V-600. In combination with the Rotavapor® R-220 Pro it will be controlled on the Rotavapor.



Scope of delivery

The Recirculating Chiller F-325 is delivered ready to use and is complete of:

Components	F-325
Control cable 2 m	1
FEP hose for the optional Vacuum Pump V-600	1
Hose barb, Ø 13.5 mm	2
Tubing, PVC, , Ø 10/15 mm , transparent	2 × 2 m
Hose clamp	4
Instruction manual on CD	1

Order code



Recirculating Chiller F-325 for 230 V

Technical data

Dimensions (W × H × D)	1070 × 580 × 650 mm
Weight	101 kg
Temperature range	-10 °C to +25 °C
Cooling capacity at 15 °C*	2500 W
Cooling capacity at 10 °C*	2200 W
Cooling capacity at 0 °C*	1400 W
Cooling capacity at -10 °C*	800 W
Power consumption (max.)	2850 W
Supply voltage	230 VAC ± 10 %
Frequency	50/60 Hz
Display	digital, resolution 0.1 °C
Ambient temperature	5 - 35°C
Refrigerant	R 134a
Temperature regulation accuracy	± 1 °C
Tank volume	9 L
Hose connection	13.5 mm
Pump pressure	2.5 bar
Flow rate	14 L/min

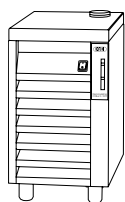
* Measured at 20°C ambient temperature.

Accessories

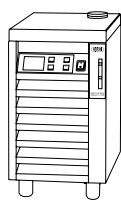
	Order number
Tubing, Synthetic rubber, D 15/27, black, per m Use: insulation of cooling tubing	11056888
Tubing, PVC, 10/15 mm, transparent, per m Use: cooling tube to Rotavapor® R-220 Pro	027146

All Recirculating Chillers at a glance

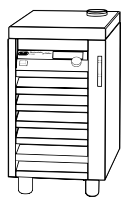
The BUCHI recirculating chiller portfolio is completed with the F-100 line. The following table provides an overview of the different features.



F-100
300 W / 10 °C



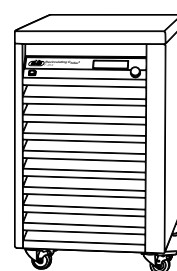
F-105
530 W / 15 °C



F-305
550 W / 15 °C



F-308
900 W / 15 °C



F-314
1400 W / 15 °C

	F-100	F-105	F-305	F-308	F-314
Cooling capacity at 15 °C	400 W	530 W	550 W	900 W	1400 W
Temperature range	Fix at 10 °C	-10 °C to +25 °C	-10 °C to +25 °C	-10 °C to +25 °C	-10 °C to +25 °C
Eco mode to save energy	-	-	●	●	●
Temperature lock	-	-	●	●	●
Recommended BUCHI Rotavapor® line	Rotavapor® R-100	Rotavapor® R-100	Rotavapor® R-300	Two Rotavapor® R-300	Two Rotavapor® R-300
ON/OFF control via interface on recom. Rotavapor®	-	●	●	●	●
Temperature setting via interface on recom. Rotavapor®	-	-	●	●	●
Other applications	Small distillation apparatus	Small distillation apparatus	Small distillation apparatus	<ul style="list-style-type: none"> · Kjeldahl · Extraction · Parallel evaporator 	<ul style="list-style-type: none"> · Parallel evaporator at low temperature · Kjeldahl systems